

# MarStand 824 NT / 824 FT / 824 GT

## Heavy Measuring Table

### FEATURES

Heavy measuring table

- Sturdy, T-shaped base made from special cast iron
- Extremely stable
- Heavy duty column and support arm for maximum stability
- Support arm locked against rotation and height adjustable via rack

#### Models:

824 NT - without fine adjustment

824 FT - with fine adjustment via parallel spring-loaded system

**824 GT** - specially designed for the large Millimess dial comparator, with fine adjustment via the adapter bushing

- **Package contains:** excludes indicator, without plate

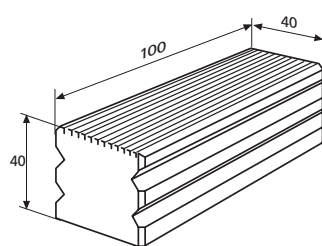


### TECHNICAL DATA

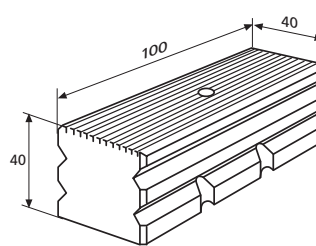
Order no.		4442100	4442105	4443100	4443105	4444200
Product type		824 NT		824 FT		824 GT
Working range a	mm	0 - 210				0 - 200
Working range a	inch	0 - 8.2"				0 - 8.0"
Fine adjustment						•
Fine adjustment range	mm			0.4		3
Mounting hole		8H7	3/8"	8H7	3/8"	28H7
Product weight	kg	17.00		19.00		18.00

### ACCESSORIES

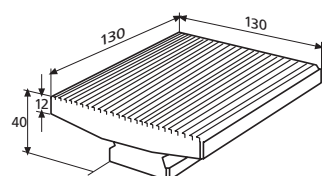
Order no.	Product name	Product type
4082731	Plate for single measurement (100 x 40 mm)	827 b 31
4082732	Plate for sum measurement (100 x 40 mm)	827 b 32
4082733	Plate for single measurement (130 x 130 mm)	827 b 33
4082734	Plate for sum measurement (130 x 130 mm)	827 b 34
4346111	941 G Holder Ø 28mm, length 100mm, range 3mm (with mount bore for indicators with shaft Ø 8mm)	941 G / Ø 28 mm



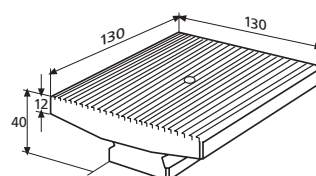
827 b 31



827 b 32



827 b 33

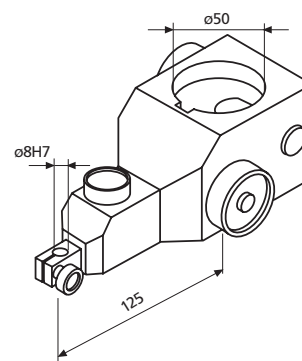
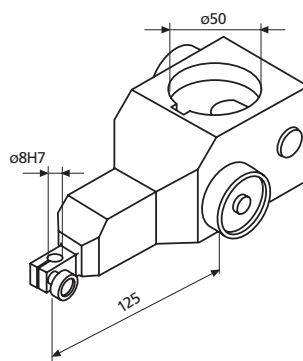
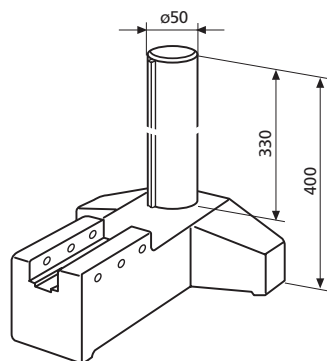


827 b 34

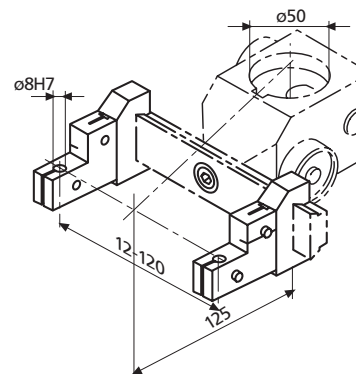
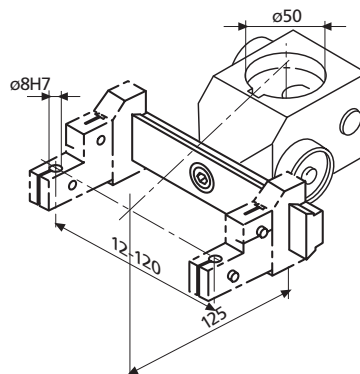
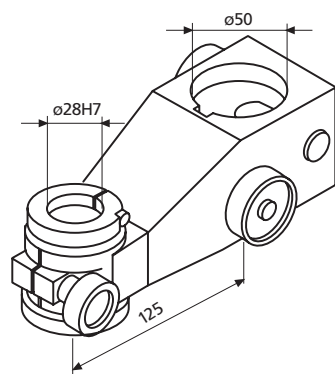
# MarStand

## Base with Post

### OVERVIEW



Product type	827 b 5	827 b 16	827 b 17
Order no.	4082705	4082716	4082717
Product features	<ul style="list-style-type: none"> <li>T-shaped base is made from a special cast iron</li> <li>Post has chrome finish</li> </ul>	<ul style="list-style-type: none"> <li>Rugged construction for exceptionally high bending resistance</li> <li>Locked against rotation and height adjustable via rack</li> </ul>	<ul style="list-style-type: none"> <li>Rugged construction for exceptionally high bending resistance</li> <li>Locked against rotation and height adjustable via rack</li> </ul>

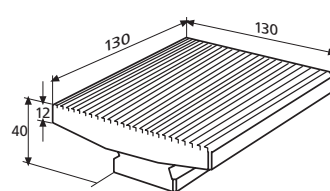
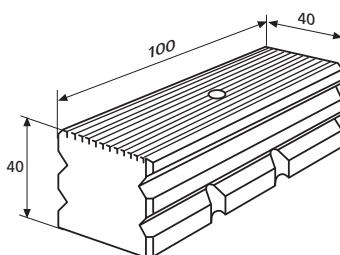
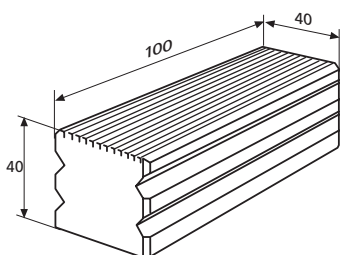


Product type	827 b 18	827 b 19	827 b 14
Order no.	4082718	4082719	4082714
Product features	<ul style="list-style-type: none"> <li>Rugged construction for exceptionally high bending resistance</li> <li>Locked against rotation and height adjustable via rack</li> </ul>	<ul style="list-style-type: none"> <li>Rugged construction for exceptionally high bending resistance</li> <li>Locked against rotation and height adjustable via rack</li> </ul>	<ul style="list-style-type: none"> <li>Probe holder, mounting hole 8 mm</li> </ul>

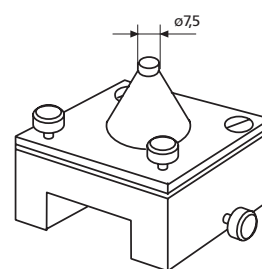
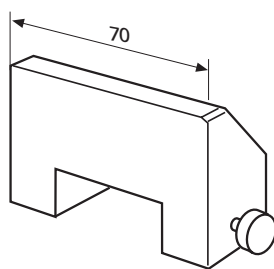
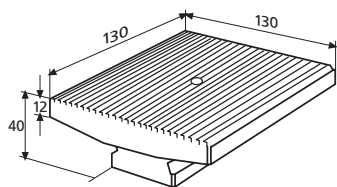
# MarStand

## Plate for Single Measurement

### OVERVIEW



Product type	827 b 31	827 b 32	827 b 33
Order no.	4082731	4082732	4082733
Product features	<ul style="list-style-type: none"> <li>• For single measurement</li> <li>• Hardened and lapped</li> <li>• Reversible</li> <li>• One measuring surface with longitudinal ribbing</li> <li>• Both sides face lapped</li> </ul>	<ul style="list-style-type: none"> <li>• For compound measurement</li> <li>• Hardened and lapped</li> <li>• With 8 mm mounting bore and clamping device for inductive probes</li> <li>• Measuring surface with longitudinal ribbing</li> </ul>	<ul style="list-style-type: none"> <li>• For single measurement</li> <li>• Hardened and lapped</li> <li>• Reversible</li> <li>• Large measuring surface with longitudinal ribbing</li> <li>• Both sides face lapped</li> </ul>



Product type	827 b 34	827 b 35	827 b 36
Order no.	4082734	4082735	4082736
Product features	<ul style="list-style-type: none"> <li>• For compound measurement</li> <li>• Hardened and lapped</li> <li>• With 8 mm mounting bore and clamping device for inductive probes</li> <li>• Large measuring surface with longitudinal ribbing</li> </ul>	<ul style="list-style-type: none"> <li>• Ensures that a workpiece is correctly positioned</li> <li>• To be attached to plates 827 b 31 and 827 b 32</li> </ul>	<ul style="list-style-type: none"> <li>• With adjustment screws for parallel alignment of 2 plan surfaces</li> <li>• Particularly suitable for mounting pin gages 426 M</li> <li>• To be attached to plates 827 b 31 and 827 b 32</li> </ul>